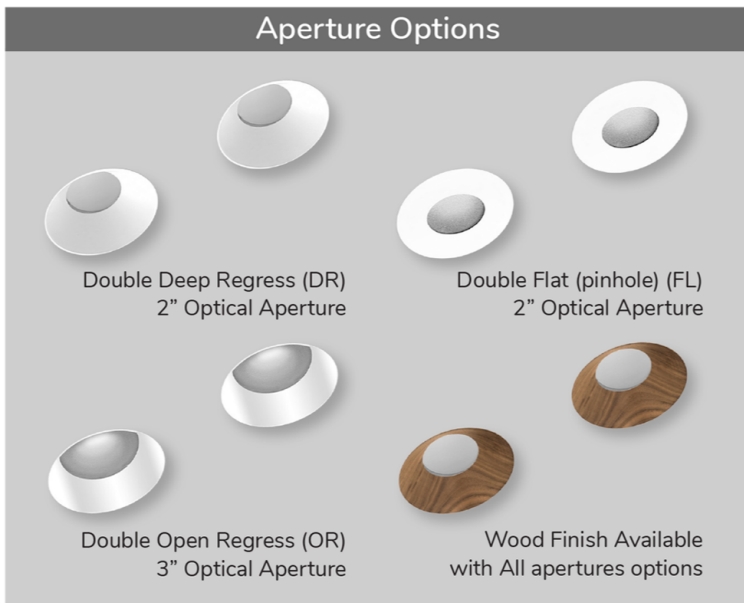
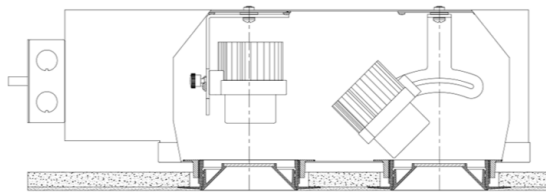
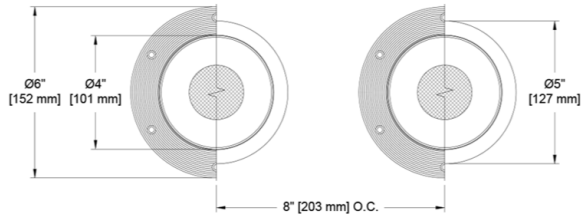
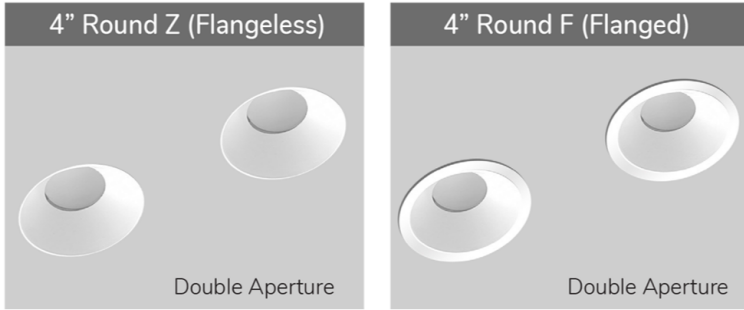


The Core Family

When one Core is not enough, you can make it a double. Need more light, or savings on installation costs, this 8" on center dual aperture fixture delivers a rich diversity of technical and aesthetic options including 3 trim aperture types, over 14 finishes including custom wood trims, flux and source selections featuring 90+ CRI fixed white and our world class Ambient Dim (Warm Dim), multiple beam spreads and plethora of driver and control choices. The Core downlight is created on a platform allowing a high degree of modification, so if you don't see what you are looking for, just ask for it.



PROJECT:

TYPE:

SPECIFIER:

DATE:

Key Points (CR4MD-RMDL)

Trim

- Flanged or Flangeless
- Flangeless includes plaster flange with lip
- 14 color options + custom RAL or wood available
- One-piece die cast aluminum or machined wood trim

Source / Optics

- Lifetime: L87B3 > 55,000 hours at 40°C Ambient
- 2400K, 2700K, 3000K, 3500K, 4000K Ambient Dim, RGBW, & Tunable White options
- 90 CRI, 60+ R9 Standard- 95 CRI 90+R9 Optional
- <2 MacAdam Steps (<2SDCM) for fixed white
- Up to 4600 delivered lumens with both openings and C28 source
- Adjustable to 45° with 358° of rotation
- 4 beamspreads available- 15°, 24°, 40°, and 55°

Housing

- Compliant to with Airtight Housing
- Listed – Damp or wet with shower trim
- Approved for 8 (4-in / 4-out) #12 AWG conductors rated for 90°C through wiring
- IC Rated / Airtight Housing approved for use in direct contact with insulation – Chicago Plenum Available
- Heavy gauge aluminum for new construction or remodel

Driver

- Phase, 0-10, DALI-2, DMX, Ecosystem or Wireless Control
- Flicker free to IEEE 1789-2015
- Prewired and integral to housing
- Universal 120-277v

Ordering Codes

PROJECT:

SPECIFIER:

DATE:

TYPE:

QUANTITY:

Ordering Code Example: CR4MD-RMDL-DR-Z-APM-C20-35-24-E2-2C-D-91A-97L-CP

FIXTURE	APERTURE	TRIM	MOUNTING	SOURCE / WATTS	CCT	BEAM	DRIVER / CONTROL	CIRCUITS	TRIM FINISH	LENS ACCESSORIES	ACCESSORIES
CR4MD-RMDL											
Core 4" Round Double Adjustable Downlight	DR Double Deep Regress OR Double Open Regress FL Double Flat (Pin Hole)	Flanged Trims F Flanged Trim FS Flanged Shower Trim* <i>(for mounting choose from Flanged Houses)</i> Flangeless Trims Z Flangeless Trim ZS Flangeless Shower Trim* <i>(for mounting choose from Flangeless Houses)</i> * Aperture Lens Required	Flanged Housings U Universal - Non-IC Housing AU Universal IC/Airtight* Flangeless Housings P Plaster - Non-IC Housing AP Plaster IC/Airtight* PM Panel Mount APM Panel Mount Airtight/IC* California Title Compliant *Cannot be used with C28 Source	Citizen C14 15W 1074Lm** 90+CRI, 60+R9 C20 21W 1422Lm** 90+CRI, 60+R9 C28 30W† 2006Lm** 90+CRI, 60+R9 Tunable T9 10W 90+CRI, 60+R9 Tunable White T15 15W 90+CRI, 60+R9 Tunable White T20 21W 90+CRI, 60+R9 Tunable White RGBW 90+CRI, 60+R9 Ambient Dim™ A14 15W 1001Lm 95+CRI, 90+R9 A20 21W 858Lm 95+CRI, 90+R9 California Title 24 Compliant to JA8. * Requires Active Cooling and not compatible with IC/Airtight housing. Not compatible with L2 and LP drivers. †Does not meet CA title 24 with Flat aperture. ** Based on Deep Regress 24" beam.	24 2400K 27 2700K 30 3000K 35 3500K 40 4000K Tunable TW1840 1800-4000K Tunable White w/ E1, E2, E3, E4 TW2765 2700-6500K Tunable White w/ E1, E2, E3, E4 RG1280 1200-8000K RGBW Dynamic Color Changing *Requires E2 or E4 Ambient Dim™ 2722 2700-2200K *A14 Only 3019 3000-1900K 3022 3000-2200K *A14 Only	15 Spot 24 Narrow Flood 40 Flood 55 Wide Flood	C1 0-10 1.0%, UNV (120-277V) linear C2 ELV/Triac 1.0%, (120V) linear E1 0-10 0.1%, UNV (120-277V) log E2 DALI-2 0.1%, UNV (120-277V) log E3 0-10 0.1%, UNV (120-277V) linear E4^ DMX 0.1%, UNV (120-277V) Universal DMX Driver/Controller RGBW-DMX ^ INCLUDES DMX/RDM COMPATIBLE DRIVER WITH BUILT-IN DECODER - CONTROLLER BY OTHERS Lutron LD Digital Ecosystem 1.0%, UNV (120-277V) ECO Hi-Lume SoftOn/Fade-to-Black LDE1 LP Digital Ecosystem* 0.1%, UNV (120-277V) ECO Premier Hi-Lume SoftOn/Fade-to-Black, PEQ0, 20W max * Not compatible with C28	1C 1 Circuit 2C 2 Circuit	W White Paint B Black Paint D Wood* PXX Specialty Paint Color* P01-P15 C Custom/RAL Color** * Wood "D" selection to be used with Z trim and PM mounting - Refer to Wood Trim Guide ** Refer to Finish Guide	Aperture Lens 91A Solite 93A Frosted XXA Other Aperture Lens Treatments* Reflector (lamp) Media 91L Solite 93L Frosted 97L Black Hexcel Louver XXL Other reflector (lamp) media* 1 piece of media per opening (aperture or reflector) can be selected. *See Lens Accessory Guide	CP Chicago Plenum EM Emergency Pack Controls LR Lutron Wireless RF PowPak ATH Lutron Athena Wireless Node <i>Must be used with E2 driver</i> CA Casambi Wireless BLE to be paired with driver

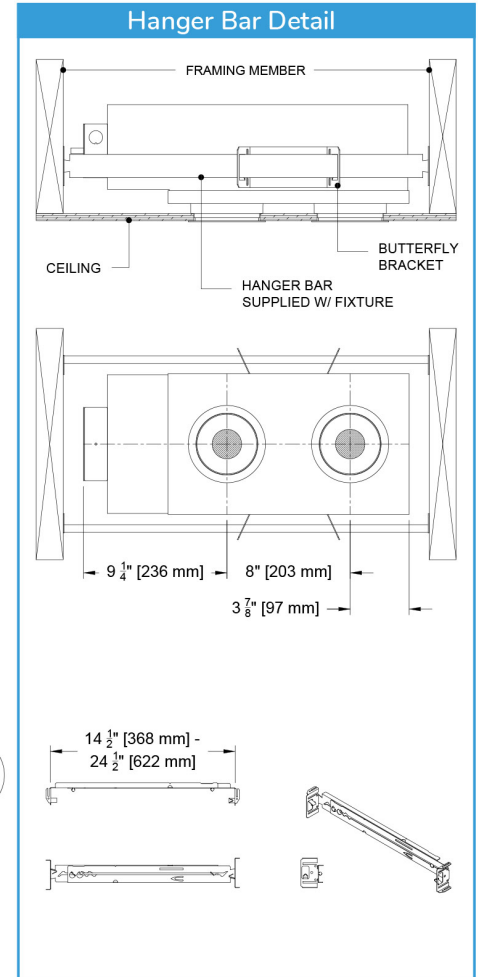
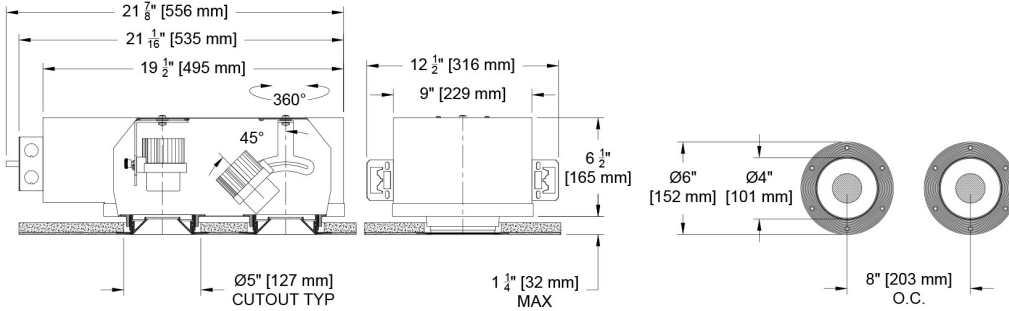
Ceiling Cutouts and Dimensions

Deep Regress Shown - others similar

4" Round Flangeless Housing

Plaster Mount (P/AP)

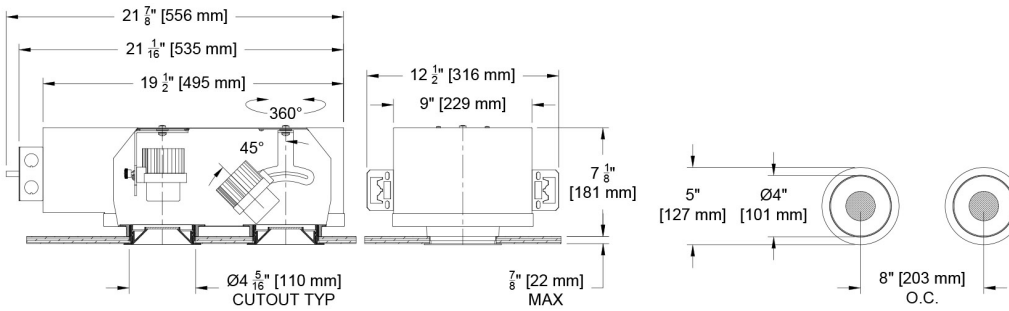
(CR4MD-RMDL-DR-Z-P/AP)



4" Round Flangeless Housing

Flanged Mount (U/AU)

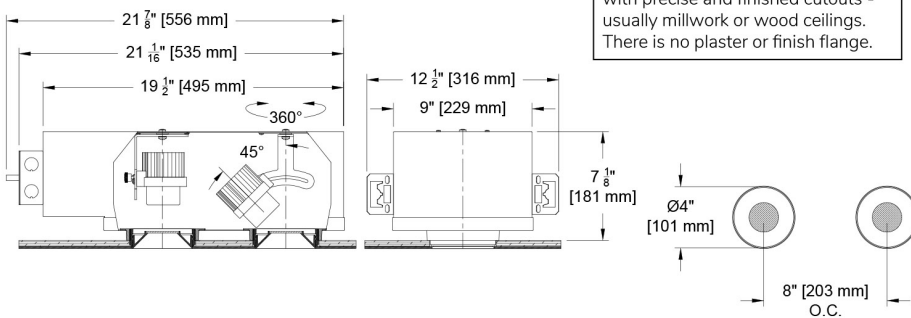
(CR4MD-RMDL-DR-F-U/AU)



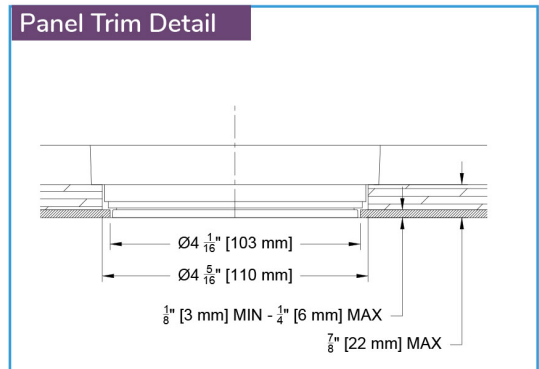
4" Round Panel Mount Housing

Panel Mount (PM/APM)

(CR4MD-RMDL-DR-Z-PM/APM)

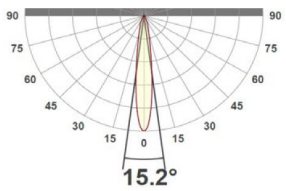
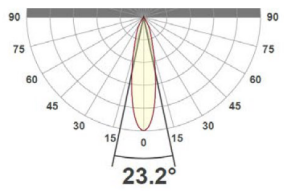
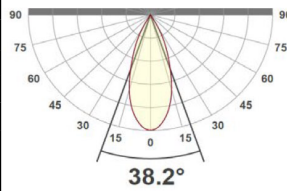
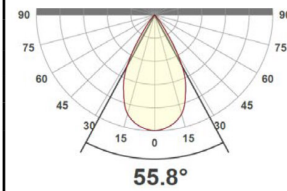


NOTE: This option is intended for use with precise and finished cutouts - usually millwork or wood ceilings. There is no plaster or finish flange.



Photometric Table

Values are based on a single aperture CR4D-RA. Calculations will require placing the second head (file) 8" on center from the first placed IES file. All Measurements are delivered or derived delivered lumens based on 3000k. Ambient dim at full output. *C28 source requires active cooling and must be used with NIC housing for required airflow. Flat (Pin Hole) aperture wide beams experience significant beam clipping - refer to PDF report for exact FWHM beam angle. All values can vary +/-10% from source manufacturer rated flux range.

ROUND Beamspreads		15°					24°					40°					55°				
Source	System watts (W)	Delivered Lumens (lm)	Lumens/Watt	Peak cd	10% Field	Delivered Lumens (lm)	Lumens/Watt	Peak cd	10% Field	Delivered Lumens (lm)	Lumens/Watt	Peak cd	10% Field	Del. Lumens (lm)	Lms/Watt	Peak cd	10% Field				
Deep Regress	Citizen C14	15	1149	77	7832	42°	1074	72	4247	46°	1117	74	2867	51°	1098	73	1416	71°			
	Citizen C20	21	1531	73	11189	43°	1422	68	6491	52°	1490	71	4096	56°	1464	70	2208	72°			
	Citizen C28*	30	2046	68	16106	41°	2006	67	9871	47°	2069	69	5688	54°	2020	67	3155	69°			
	Ambient Dim A14	15	882	59	7188	38°	858	57	4167	44°	801	53	2027	57°	844	56	1286	70°			
Open Regress	Citizen C14	15	1267	84	7877	42°	1179	79	4203	52°	1183	79	2421	66°	1199	80	1533	75°			
	Citizen C20	21	1689	80	12229	41°	1571	75	6562	57°	1578	75	3459	63°	1536	73	1965	76°			
	Citizen C28*	30	2331	78	16883	44°	2169	72	9060	55°	2177	73	5140	67°	2163	72	2939	75°			
	Ambient Dim A14	15	1001	67	7323	39°	987	66	4067	53°	991	66	2235	60°	969	65	1281	72°			
Flat (Pin Hole)	Citizen C14	15	824	55	7851	37°	716	48	4844	46°	700	47	2801	51°	623	42	1370	64°			
	Citizen C20	21	1099	52	11216	35°	967	46	6544	42°	933	44	3732	49°	830	40	1957	62°			
	Citizen CZ8*	30	1517	51	16982	32°	1334	44	8389	44°	1288	43	5154	53°	1145	38	2962	59°			
	Ambient Dim A14	15	747	50	7305	36°	702	47	4077	42°	678	45	2247	50°	622	41	1076	63°			
CCT Multiplier																					
CCT	Citizen																				
2700	0.95																				
3000	1.00																				
3500	1.02																				
4000	1.03																				
All measurements based on 3000 CCT.																					
																					

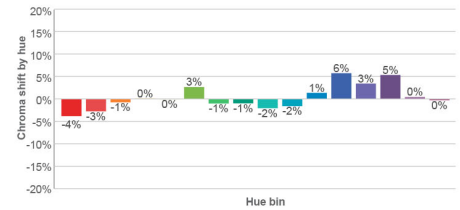
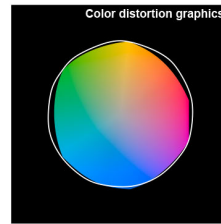
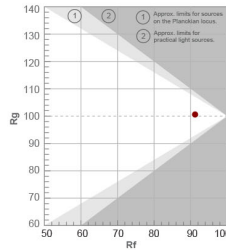
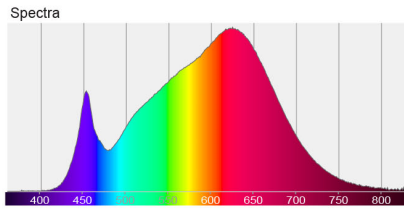
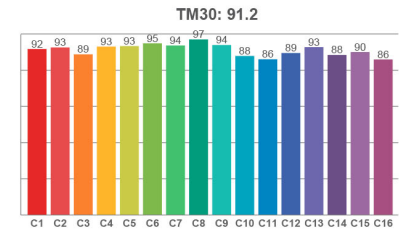
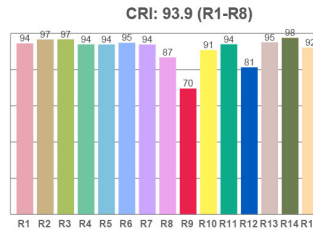
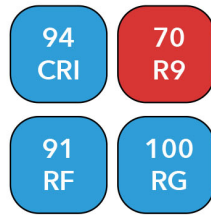
ISO CD Plot based on Open Regress.

Color Data

All data is based from goniometer measurements of production representative product. All values can vary +/- 10% from LED manufacturer rated data range. Measurements at 3000 CCT

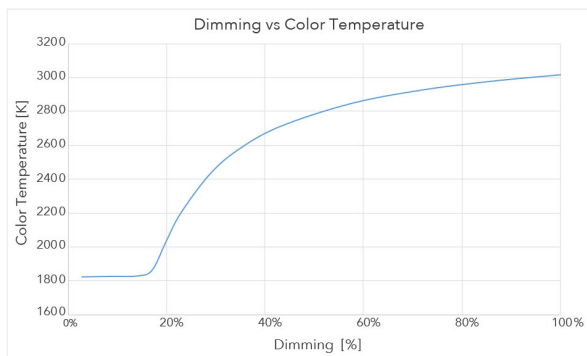
Citizen Sources - C14, C20 and C28

- <2 MacAdam Ellipse (<2 SDCM)
- 90+ CRI and RF
- 60+R9, Hue Bin 1

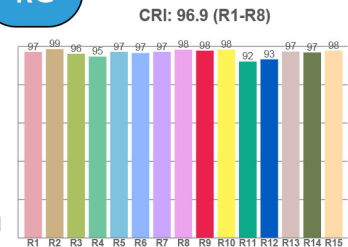
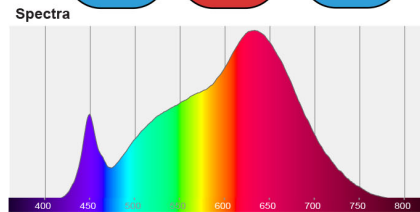


Ambient Dim - 3000k to 1900k

- <3 MacAdam Ellipse (<3 SDCM)
- 95+ CRI and RF
- 90+R9, Hue Bin 1
- Follows Black Body Locus through dimming range



3000 CCT Full Output



1850 CCT 5% Output

